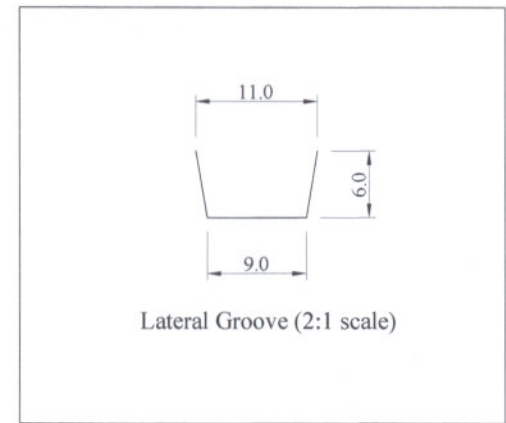
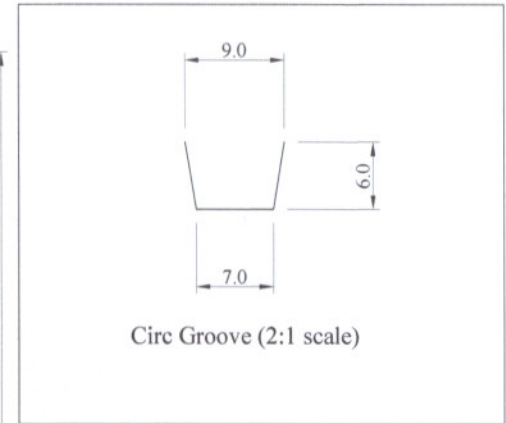


270.0



43.6
88.7



280/705R18



The copyright on this drawing is the property of Cooper Tyre & Rubber Company Europe Limited. It must not be parted with or copied in whole or in part or used as a basis for any other drawing or otherwise reproduced in any manner from whatsoever without the consent in writing of Cooper Tyre & Rubber Co. Europe Limited. It is the property of Cooper Tyre & Rubber Co. Europe Limited & must be returned to them on demand.

Pattern Type:	British GT 2006	Drawn By:	Tech Dept.
Pattern No:	BGT006	Drawn :	26/04/06