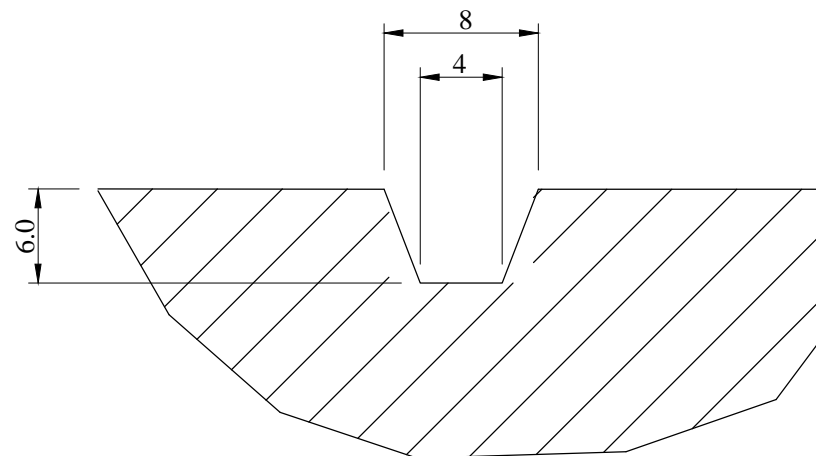


**Lateral Grooves**



**Circumferential Grooves**


**AVON Tyres Racing**

**Pattern Type**

**Universal Wet**

Drawn:-  
21/01/99

**Pattern No**

**M001**

Drawn By:-  
NRU